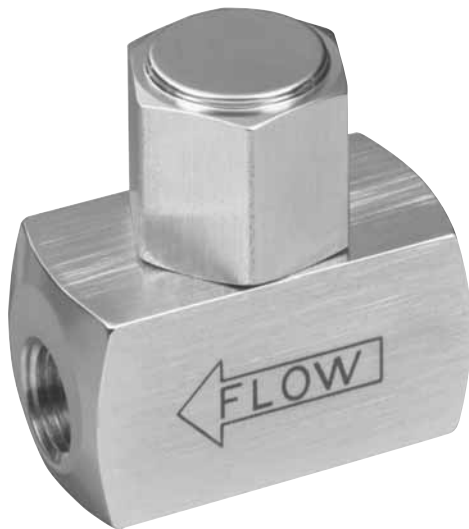


GO REGULATOR, INC.

Filters

Index

Safety Warning	Inside Front Cover
F-4 Series Line Filter	1
F-6K Series Line Filter	3
Disclaimers	Inside Back Cover



filters



CRANE Instrumentation & Sampling, Go Regulator
PO Box 4866 • Spartanburg, SC 29305-4866
(864) 574-7966 • www.goreg.com

For Your Safety

It is solely the responsibility of the system designer and user to select products suitable for their specific application requirements and to ensure proper installation, operation, and maintenance of these products. When selecting products, the total system design must be considered to ensure safe, trouble-free performance. Material compatibility, product ratings and application details should be considered in the selection. Improper selection or use of products described herein can cause personal injury or property damage.

Contact your authorized GO Regulator sales and service representative for information about additional sizes and special alloys.

SAFETY WARNING:

GO Regulator products are designed for installation only by professional suitably qualified licensed system installers experienced in the applications and environments for which the products are intended. These products are intended for integration into a system. Where these products are to be used with flammable or hazardous media, precautions must be taken by the system designer and installer to ensure the safety of persons and property. Flammable or hazardous media pose risks associated with fire or explosion, as well as burning, poisoning or other injury or death to persons and/or destruction of property. The system designer and installer must provide for the capture and control of such substances from any vents in the product(s). The system installer must not permit any leakage or uncontrolled escape of hazardous or flammable substances. The system operator must be trained to follow appropriate precautions and must inspect and maintain the system and its components including the product(s) and at regular intervals in accordance with timescales recommended by the supplier to prevent unacceptable wear or failure.

F-4 Series In-line Filter



This filter is designed to be used as a standard in-line filter or it may easily be threaded into a pressure regulator or valve body for inlet protection. If desired, we will install this filter for you into any of our standard pressure control products prior to shipment.

For your special requirements, this filter can be custom manufactured from almost any machinable alloy. Let us know your requirement.

Features & Specifications

- Compact size
- Economical design
- Easily changed filter elements
- Stainless steel body (316 series) with PTFE seals
- Nominal micron (μ) ratings of filtration available:
 - 10 μ sintered 316 stainless steel
 - 20 μ sintered 316 stainless steel
 - 50 μ sintered 316 stainless steel
 - 70 μ sintered 316 stainless steel
 - 100 μ 316 stainless steel mesh
 - 200 μ 316 stainless steel mesh
 - 300 μ 316 stainless steel mesh
- Pressures up to 6,000 psig (41.37 MPa)

filters

F-4 Series In-line Filter

To Order, contact your local Distributor Link below:
www.goreg.com/distributor/index.htm

Verify that your chosen part number is valid using the GO Wizards at
www.goreg.com/products/matrix/index.htm

How to Order

Part No. **102120-10** Standard filter with 10 micron nominal filtration

If other than the standard 10 micron (μ) filtration is desired, specify by the use of a dash number. For example: **102120-20** for 20 micron sintered 316 stainless steel filtration or **102120-200** for 200 micron stainless steel mesh filtration.

F4 102120 – 10

FILTER STYLE

102120 Stainless steel, 1/4" FNPT inlet, 1/4" MNPT outlet

FILTER RATING

10 10 μ sintered 316 stainless steel
20 20 μ sintered 316 stainless steel
50 50 μ sintered 316 stainless steel
70 70 μ sintered 316 stainless steel
100 100 μ 316 stainless steel mesh
200 200 μ 316 stainless steel mesh
300 300 μ 316 stainless steel mesh

WARNING: If regulators are used in flammable or toxic applications, national and/or local regulations may require the use of a captured vent.

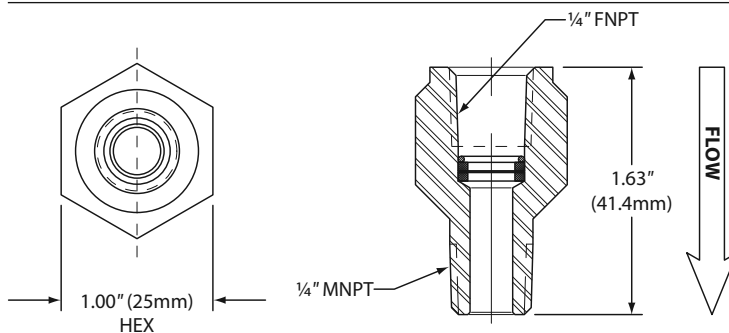
It is the responsibility of the customer to determine if a captured vent is applicable.

NOTE: Contact the factory for any additional requirements.

Maximum Temperature & Operating Inlet Pressures

Maximum Temperature	@	Operating Inlet Pressure
450° F (232° C)	@	6,000 psig (41.37 MPa)

Outline Dimensions



Repair Kit Information

Part Number	Description
100089	Screen filter kit (specify porosity)
G100089-10	10 μ nominal filtration
G100089-20	20 μ nominal filtration
G100089-50	50 μ nominal filtration
G100089-70	70 μ nominal filtration
G100089-100	100 μ nominal filtration
G100089-150	150 μ nominal filtration
G100089-200	200 μ nominal filtration
G100089-300	300 μ nominal filtration

F-6K In-line or Bypass Filter



The F-6K in-line or bypass filter has been designed with bar stock construction to provide reliable and economical filtration of streams having pressures up to 6,000 psig (41.37 MPa) at 70° F (20° C).

Materials of construction (standard) are 316 stainless steel and PTFE for maximum service capability at economical prices. If a greater level of corrosion protection is required, this unit can be made (option) from MONEL® or HASTELLOY® C-276. The sintered 316 stainless steel filter element, with filtration ranges between 2 and 55 microns (μ), can be easily changed without removing the filter from the line. Standard connections are $\frac{1}{4}$ " FNPT. The optional bypass port is standard as $\frac{1}{8}$ " FNPT.

Features & Specifications

- Nominal ratings of filtration available:
 - 2–5 μ sintered
 - 5–9 μ sintered
 - 10–15 μ sintered
 - 20–30 μ sintered
 - 40–55 μ sintered
 - 100 μ 316 stainless steel mesh
 - 150 μ 316 stainless steel mesh
- Available with optional bypass

filters

F-6K In-line or Bypass Filter

To Order, contact your local Distributor Link below:
www.goreg.com/distributor/index.htm

Verify that your chosen part number is valid using the GO Wizards at
www.goreg.com/products/matrix/index.htm

How to Order

F6K 101700 - 3 | 1

FILTER STYLE & MATERIAL

- 101700** In-line, stainless steel, 1/4" FNPT connections
- 101830** 1/8" NPT bypass, stainless steel, 1/4" FNPT connections
- 101850** 1/4" FNPT bypass, stainless steel, 1/4" FNPT connections
- 102980** In-line, MONEL®, 1/4" FNPT connections*
- 102981** 1/8" FNPT, bypass, MONEL®, 1/4" FNPT connections*
- 102982** 1/4" FNPT bypass, MONEL®, 1/4" FNPT connections*
- 107476** In-line, stainless steel, 1/4" MNPT outlet, 1/4" FNPT inlet
- 107519** 1/8" bypass, stainless steel, 1/4" MNPT outlet, 1/4" FNPT inlet
- 107518** 1/4" bypass, stainless steel, 1/4" MNPT outlet, 1/4" FNPT inlet

* MONEL® not available with mesh elements.

OPTIONS (NOT REQUIRED)

- A** EB33 (oxygen cleaning)
- B** EB5 cleaning
- D** Helium leak test
- E** Pressure test certificate
- F** Certificate of Conformity
- G** CMTR

VOLUME

- 1** Standard
- 2** Low volume

O-RING MATERIAL

- I** PTFE
- D** Viton®

FILTER RATING

- 1** 2-5µ sintered
- 2** 5-9µ sintered
- 3** 10-15µ sintered
- 4** 20-30µ sintered
- 5** 40-55µ sintered
- 6** 100µ 316 stainless steel mesh
- 7** 150µ 316 stainless steel mesh

NOTE: Contact the factory for any additional requirements.

Maximum Temperature & Operating Inlet Pressures

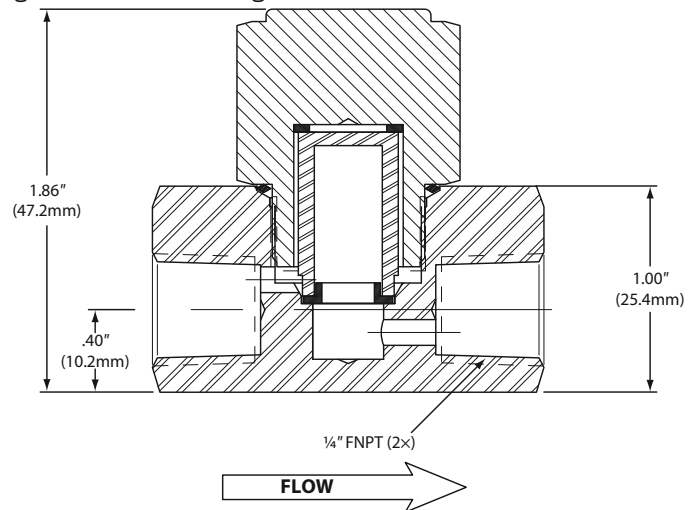
Seal Material	Maximum Temperature	@	Operating Inlet Pressure
Viton®	70° F (20° C)	@	6,000 psig (41.37 MPa)
	175° F (80° C)	@	3,600 psig (24.82 MPa)
PTFE	70° F (20° C)	@	6,000 psig (41.37 MPa)
	150° F (66° C)	@	3,600 psig (24.82 MPa)

WARNING: If regulators are used in flammable or toxic applications, national and/or local regulations may require the use of a captured vent.

It is the responsibility of the customer to determine if a captured vent is applicable.

Outline Dimensions

Weight = 0.6 lbs (0.27kg)



Repair Kit Information

Stainless Steel

Part Number	Description
101705	In-line 2-5µ range
101706	In-line 5-9µ range
101707	In-line 10-15µ range
101708	In-line 20-30µ range
101709	In-line 40-50µ range
101855	In-line 100µ mesh element
101833	Bypass 2-5µ range
101832	Bypass 5-9µ range
101834	Bypass 10-15µ range
101835	Bypass 20-30µ range
101836	Bypass 40-55µ range

MONEL®

Part Number	Description
103861	In-line 2-5µ range
103862	In-line 5-9µ range
103863	In-line 10-15µ range
103864	In-line 20-30µ range
103865	In-line 40-50µ range
103866	Bypass 2-5µ range
103867	Bypass 5-9µ range
103868	Bypass 10-15µ range
103869	Bypass 20-30µ range
103870	Bypass 40-55µ range

MONEL® is a registered trademark of Special Metals Corporation.
 HASTELLOY® C-276 is a registered trademark of Haynes International, Inc.
 Viton® is a registered trademark of DuPont Dow Elastomers

GO REGULATOR, INC.

The Small Bore Instrumentation Specialists



We specialize in small bore instrumentation products up to 2" that deliver benchmark performance quality & safety; provide the broadest array of superior alloy offerings in the market; decades of proven success in a wide range of industries; a roster of "who's who" customers & projects globally; original "Best Solution" engineering & designs; and are focused on continuous improvement in all aspects of our business.

Proudly Distributed By:



CRANE INSTRUMENTATION &
SAMPLING Inc.
405 Centura Ct.
Spartanburg, SC 29305, USA
Tel: 1-864-574-7966
PO Box 4866, Spartanburg, SC
29305-4866 USA

Crane Co., and its subsidiaries cannot accept responsibility for possible errors in catalogues, brochures, other printed materials, and website information. Crane Co. reserves the right to alter its products without notice, including products already on order provided that such alteration can be made without changes being necessary in specifications already agreed. All trademarks in this material are the property of the Crane Co. or its subsidiaries. The Crane and Crane brands logotype (CENTER LINE®, COMPAC-NOZ®, CRANE®, DEPA® & ELRO®, DOPAK®, DUO-CHEK®, FLOWSEAL®, GYROLOK®, GO REGULATOR®, HOKE®, JENKINS®, KROMBACH®, NOZ-CHEK®, PACIFIC VALVES®, RESISTOFLEX®, REVO®, SAUNDERS®, STOCKHAM®, TEXAS SAMPLING®, TRIANGLE®, UNI-CHEK®, VALVES®, WTA®, and XOMOX®) are registered trademarks of Crane Co. All rights reserved.